

3D X-Vision

3D Oil level Monitoring Sight Glass
(Protruded Oil Level Sight Glass)



Proper oil level management for lubrication system is Important for all industrial machinery.

That is why it is checked and monitored thru visible oil level gauge.

However, existing flat type oil level gauge has disadvantage of invisibility caused by accumulated sludge or varnish on the surface of the gauge after certain period of operation, thus it is difficult to detect lowered oil level than proper level visually.

X-Vision of Solge enables the operator not only to check oil level at 3 sides but also to monitor oil color and wear together with sampling thru available 3 ports.

● Features and Functions

- Possible to check oil level at various angles
- Multi-functional ports available for sampling & collection of wear (optional)
- Double transparent glass prevents oil leakage when broken
- Good visibility even during long operation by adopting material not contaminated by sludge or varnish
- Increase of safety by using chemical resistance and impact resistance materials.
- Patent registered (No.10-1539025)

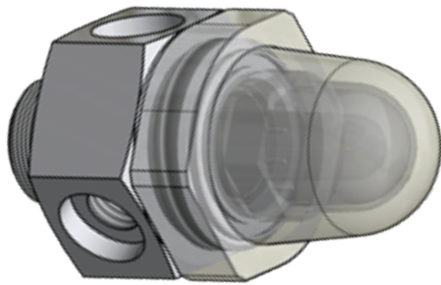


3D X-Vision

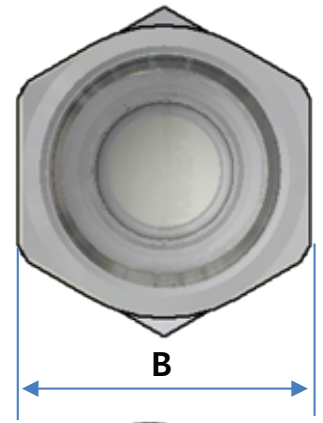
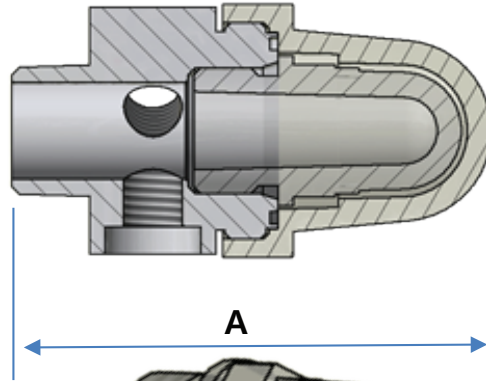
3D Oil level Monitoring Sight Glass
(Protruded Oil Level Sight Glass)



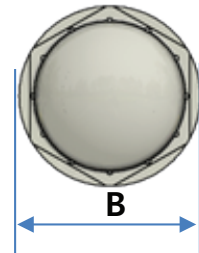
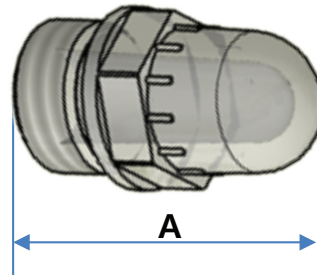
Basic Specification



Adapter Module



Standard Module



(Protruded Oil Level Sight Glass)

Type	Threads	Part No.	Size		Remarks	
			A	B		
Standard Module	Single Glass (Only Inner)	½" NPT	XV0500NT	43	24	<ul style="list-style-type: none"> ● Temperature : -40°C ~ 93°C ● Pressure : 4.5bar ● material - Copolyester & Viton
		½" BSPP	XV0250BP	43	24	
		¾" NPT	XV0750NT	50	42	
		¾" BSPP	XV0750BP	50	42	
Adapter Module	Single Glass (Outer)	1" BSPP	XV1000S	79	38	<ul style="list-style-type: none"> ● Impact Strength : More than 40 times than acryl ● Chemical resistance : Very good ● Blocks UV rays
Optional		1½" BSPP	XV1500S			
Sampling Port		3/8" BSPP	XV0375D	79	38	
Magnetic Rod	Dual Glass (Inner + Outer)	½" BSPP	XV0250D			
		¾" BSPP	XV0750D			
		1" BSPP	XV1000D			

* Customized products available in addition to a.m. specification.